



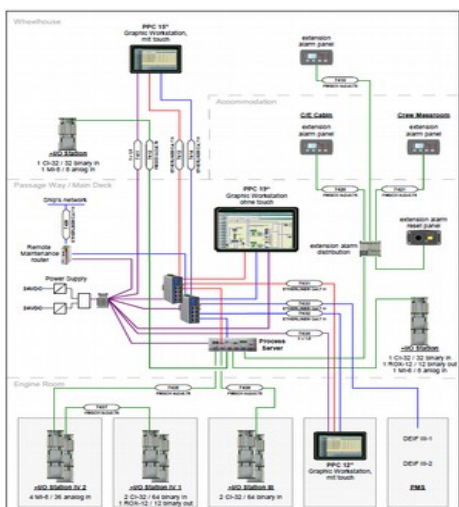
Project:
FORTUNA KINGFISHER

Fortuna Kingfisher in detail:

manager	O.S.Energy GmbH
year	2018
length	38,55 m
beam	9,20 m
deck load	60 t
IMO	4549133
specials	- survey fast winch with remote control - 360 ° waterjets - boatlanding - heave compensated crane

In the interests of climate protection, more and more wind farms have sprung up in the North and East Seas.

The range of services, delivered by FORTUNA KINGFISHER is broad, f.e. underwater inspections with the help of ROVs, measurements (hydrographic, geophysical, UXO) and environmental monitoring of the wind farms. Rockson is proud that our AMS **EVOLUTION VS** takes care of the health of the vessel to fulfill these great jobs.



the requirements for this project were:

- appr. 200 I/Os
- up to 5 mimics on 3 graphic workstations with widescreen highclass monitor
- high running process servers
- redundant process control bus and fieldbus
- interface for monitoring and control to all relevant subsystems for technical ship's operation, also PMS
- remote maintenance interface
- extension alarm system

integrated Monitoring and Control System (IMCS)

- engine related monitoring
- extension alarm system
- remote control of essential no. of standby pumps, valves, fans, purifier and compressors
- power management
- tanklevel gauging



For additional questions don't hesitate to contact us:

Rockson Automation GmbH
Wittland 2-4, 24119 Kiel
Germany

suse.koch@rockson.de

www.rockson.de